



Single Stage Norm Centrifugal Pumps

TS EN ISO 9905

SNT

DIN 24 255 - EN 733



Handled Liquids :

SNT Type pumps are suitable for clean or slightly contaminated liquids with low viscosity.

Technical Data

<i>Discharge Nozzle Range</i>	DN 32 up to 250 mm
<i>Capacities</i>	up to 1700 m ³ /h
<i>Heads</i>	up to 100 m
<i>Speed</i>	1450 - 2900 rpm
<i>Operating Temperature</i>	-10 °C up to 140 °C
<i>Casing Pressure (Pmax)</i>	10 bar (16 bar) *

(Pmax : Suction Pressure + Shut off Head)

(*) The material of pumps differ according to the type of pumped liquid , operating temperature and pressure. Contact our company for detailed information.

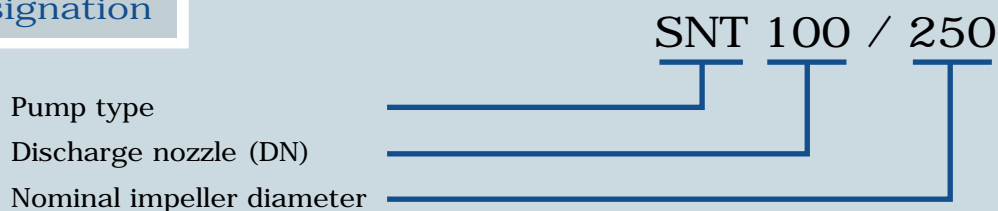
Applications

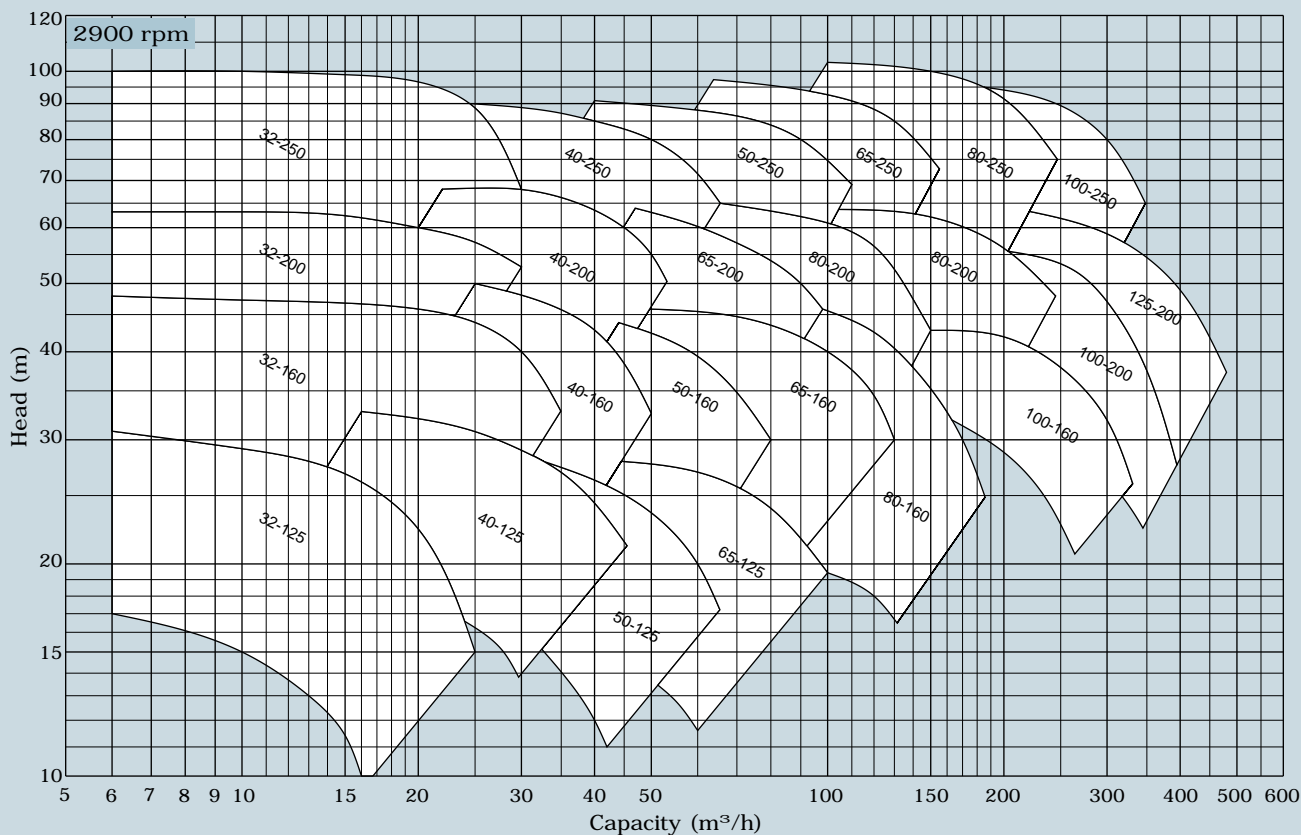
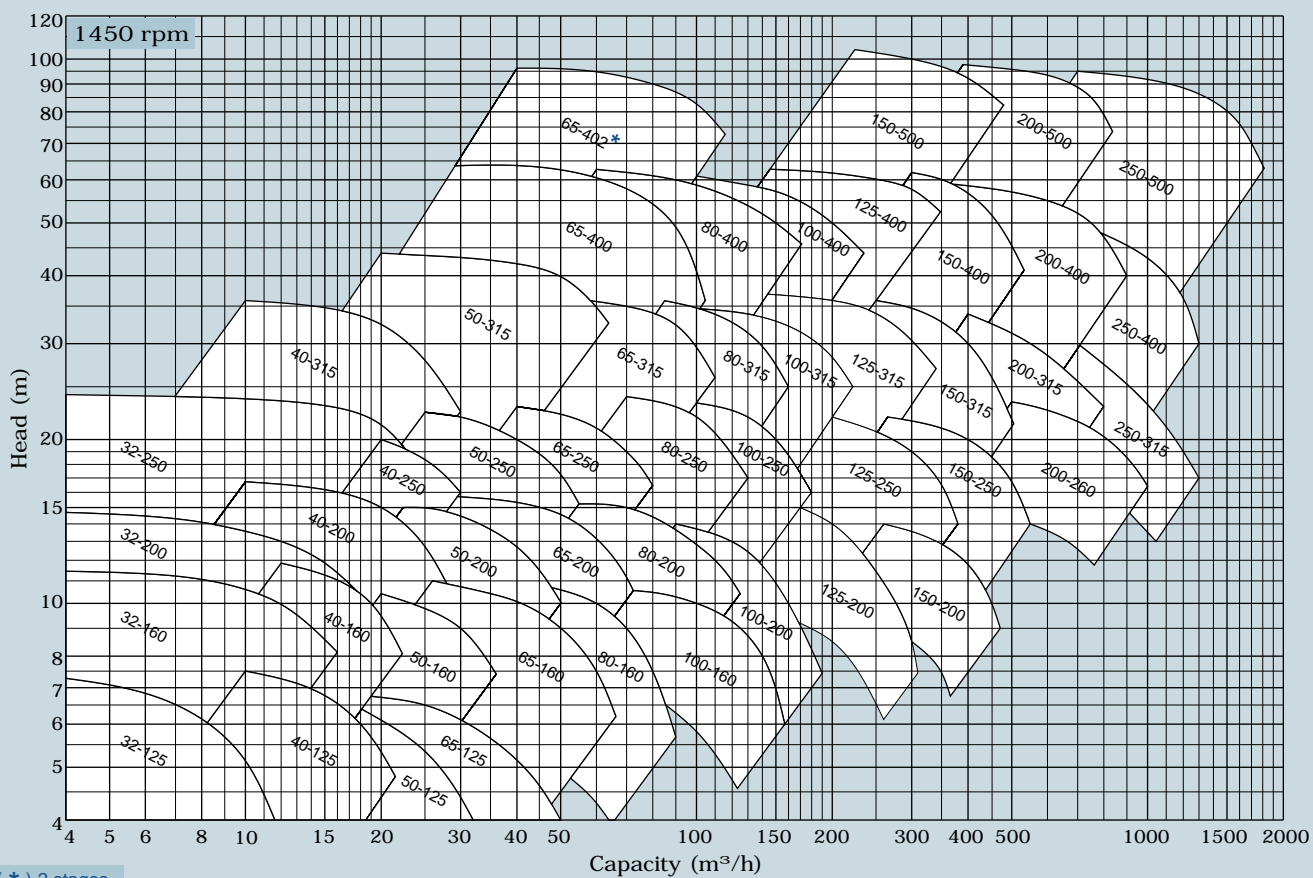
- Water supply and irrigation
- Water treatment
- Air conditioning
- Cooling plants
- Food and beverage processing
- Paper and cellulose industries
- Chemical and petrochemical industries
- Fire - fighting
- Power plants

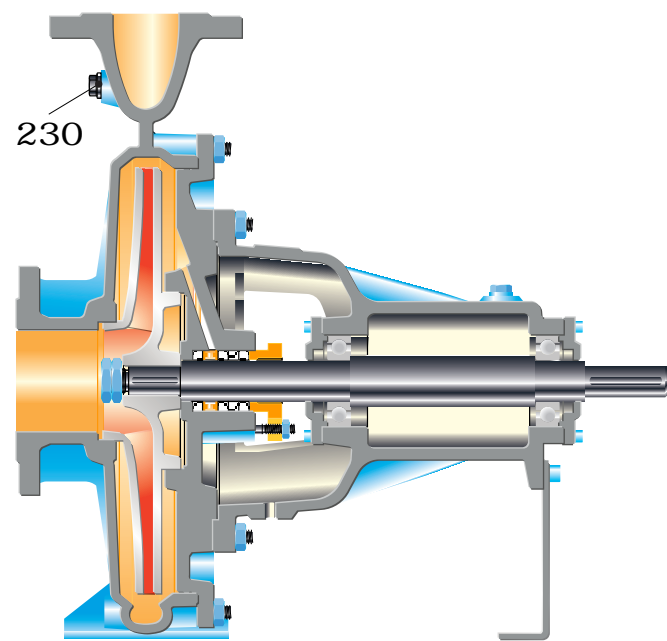
Design Feature

- Horizontal , radially split volute casing type , single stage , end suction centrifugal pump with enclosed impeller.
- Dimensionally complies with DIN 24255 / EN 733.
- In addition to 29 basic sizes conforming with DIN 24255 / EN 733 , there are 20 additional sizes. Dimensions of additional sizes can differ from other suppliers.
- The suction and discharge flanges are conforming to DIN 2533 , PN 16.
- Due to the back-pull-out design the complete bearing assembly including impeller and shaft seal can be dismantled without removing the volute casing from the pipe system.
- All impellers are dynamically balanced according to ISO 1940 class 6.3 .
- Oil lubricated or life time grease-lubricated heavy duty rolling bearings depending on construction and request.
- Axial thrust is balanced by back wear ring / balancing holes system.

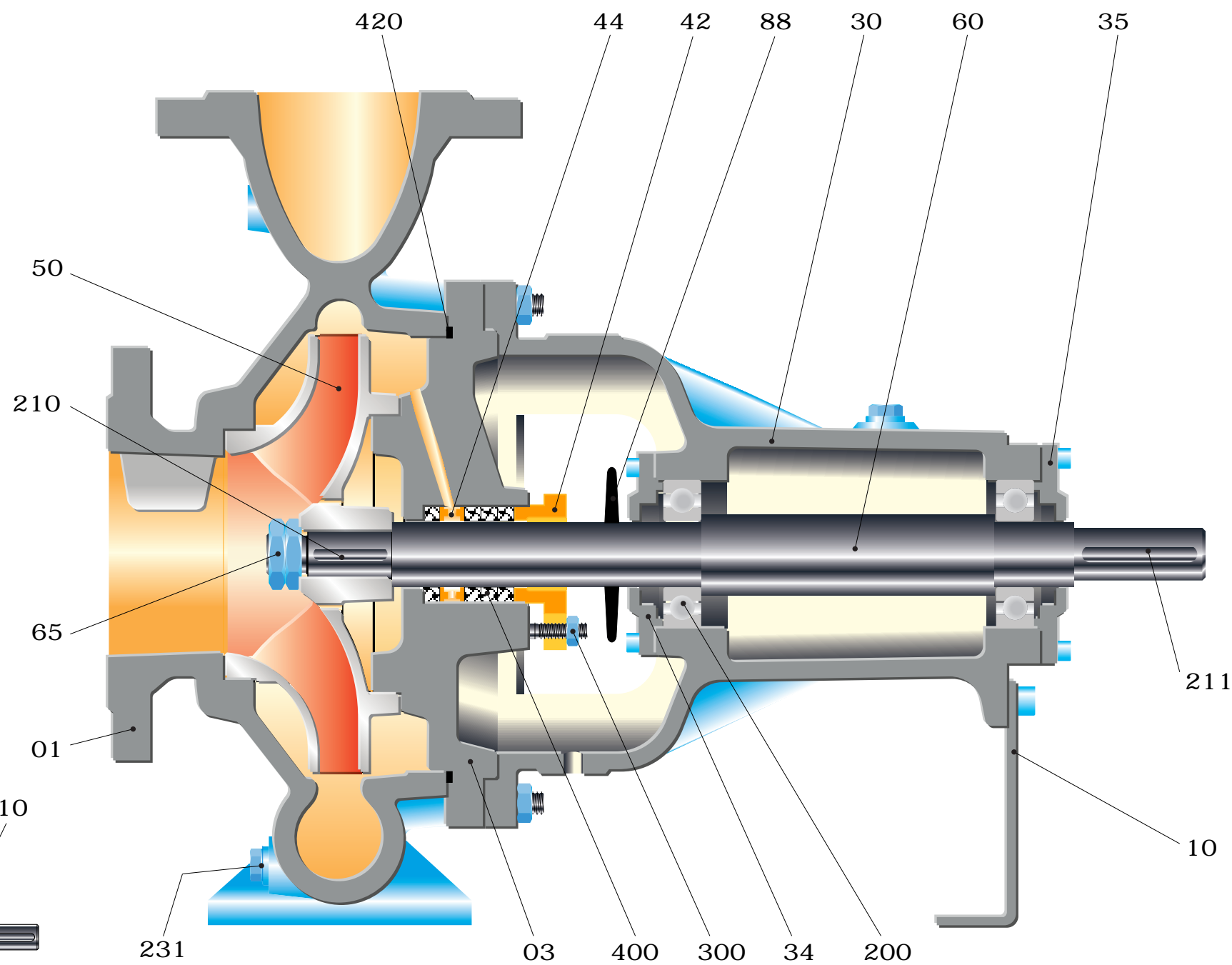
Pump Designation



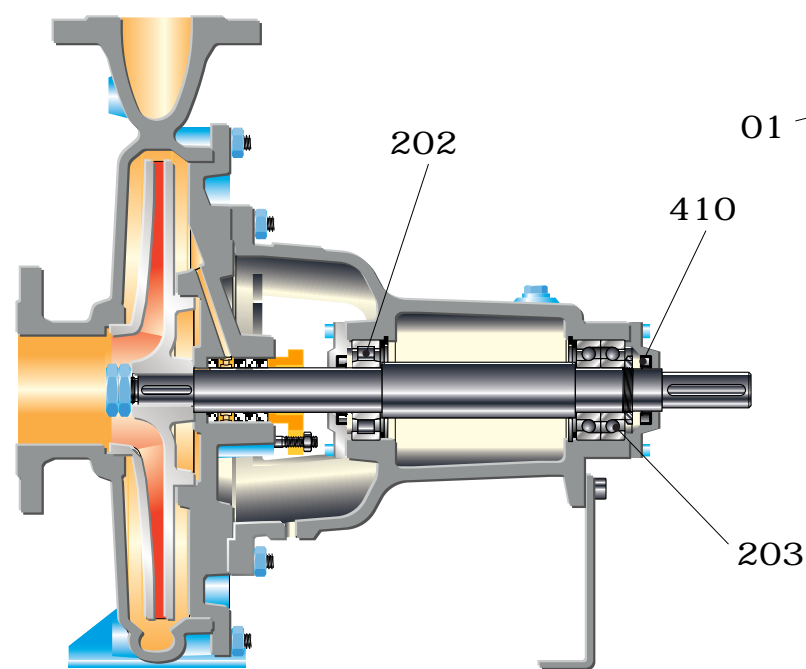




Form D2



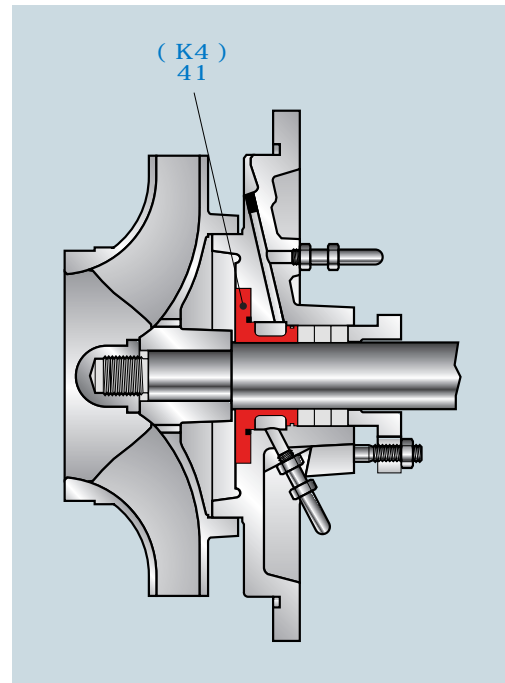
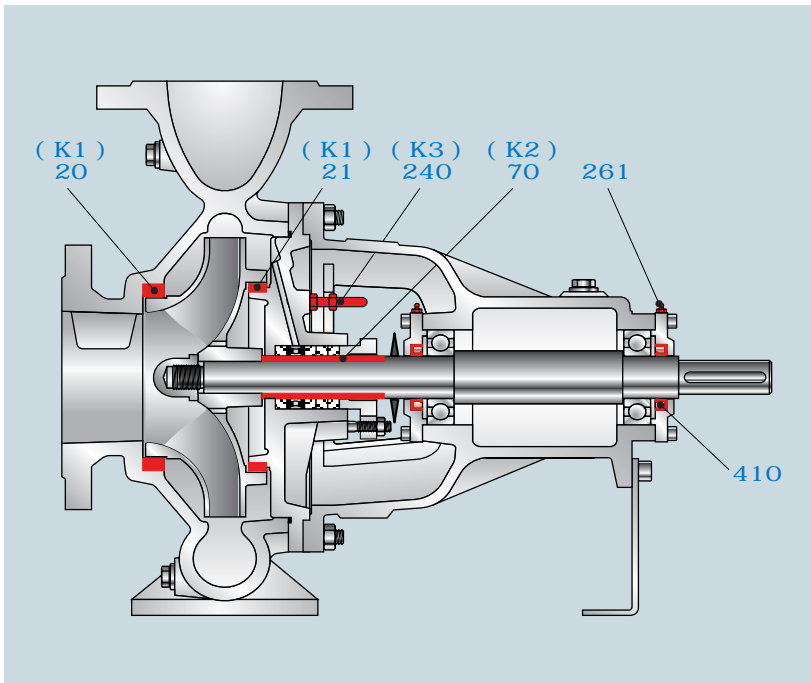
Form D1



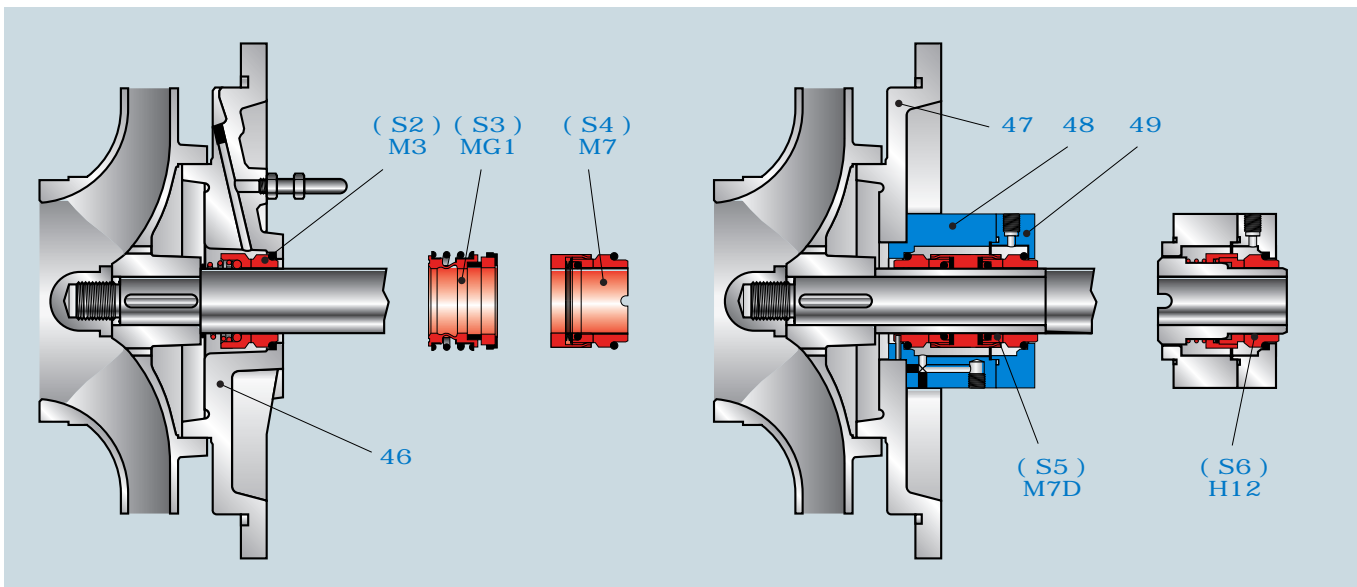
Form D3

Parts List

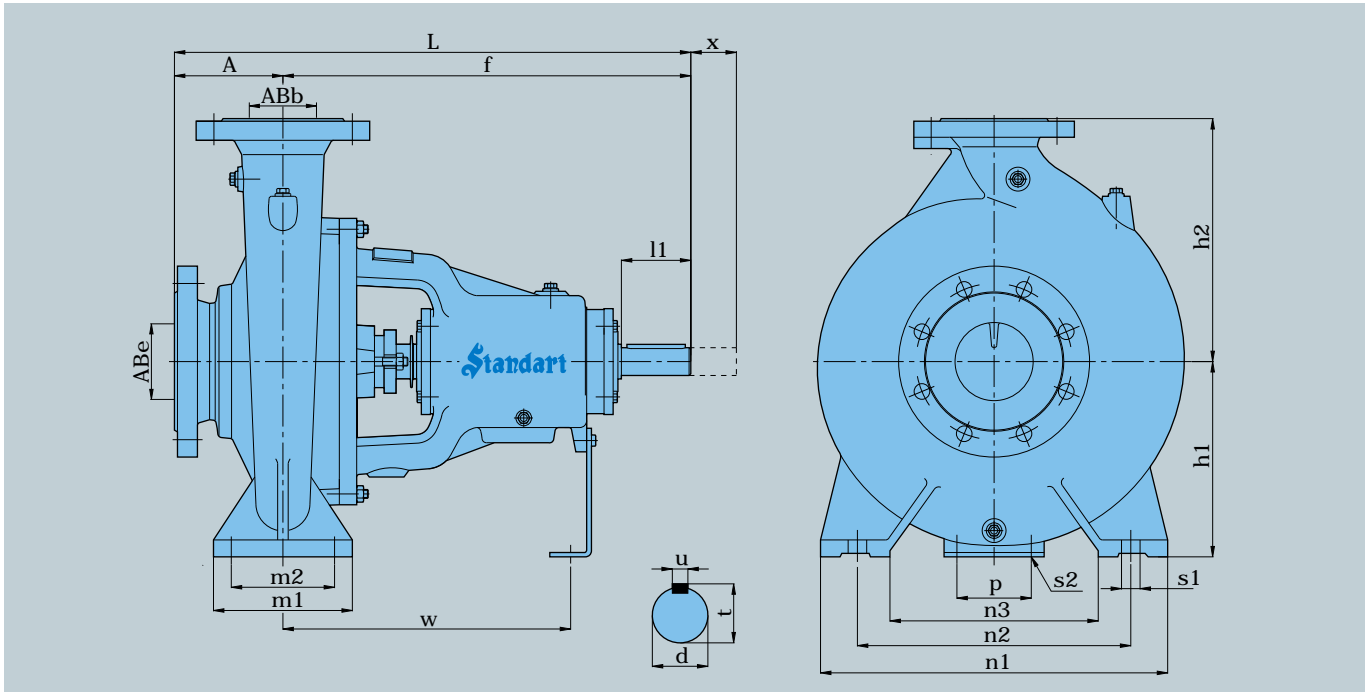
01	Volute casing
03	Stuffing box cover
10	Frame foot
20	Wear ring (casing)
21	Wear ring (stuffing box cover)
30	Bearing housing
34	Bearing cover
35	Bearing cover
41	Stuffing box with cooling jacket
42	Stuffing box gland
44	Lantern ring
46	Mechanical seal box (type 1)
47	Mechanical seal box (type 2)
48	Mechanical seal housing
49	Mechanical seal cover
50	Impeller
60	Pump shaft
65	Impeller nut
70	Shaft sleeve
88	Deflector
200	Ball bearing
202	Cylindrical roller bearing
203	Spindle bearings
210	Impeller key
211	Coupling key
230	Air plug
231	Drain plug
240	Seal tubing
261	Grease nipple
300	Gland stud and nut
400	Stuffing box packing
410	Oil seal
420	O-Ring



- (K1) Casing wear rings (front - back)
- (K2) Shaft sleeve
- (K3) Sealing fluid from outside source *(for pumping of contaminated and/or malodorous liquids)*
- (K4) Stuffing box cooling *(105 C° up to 140 C°)*



- (S1) Different soft packing types *(up to 105 C°)*
- (S2) M3 Mechanical seal *(up to 10 bar - 140 C°)*
- (S3) MG1 Mechanical seal *(up to 12 bar - 140C°)*
- (S4) M7 Mechanical seal *(up to 16 bar - 140C°)*
- (S5) Double mechanical seal
- (S6) Balanced mechanical seal



Pump Size		Form	DIMENSIONS (mm)																				Weight (kg)	Space x**																					
DIN 24255	Additional		ABe	ABb	Overall Dimensions					Support & Feet Dimensions							Shaft End																												
				A	f	L	h1	h2	m1	m2	n1	n2	n3	s1	p	s2	w	d	l1	t	u																								
32-125		D1	50	32	80	360	440	112	140	100	70	190	140	90	14	110	14	260	24	50	27	8	32	80																					
32-160								132	160														39																						
32-200								160	180														41																						
	32-250	D2			100	460	180	225	125	95	320	250	190										53																						
40-125		D1	65	40	360	440	112	140	100	70	240	190	140	14	110	14	260	24	50	27	8	33	80																						
40-160							132	160														40																							
40-200							160	180														45																							
40-250		D2					100	460														180		225	125	95	320	250	190											57					
	40-315																							200	250				345	280										67					
50-125		D1	65	50	100	360	460	132	160	100	70	265	212	165	14	110	14	260	24	50	27	8	34	80																					
50-160								160	180														42																						
50-200								180	200														48																						
50-250		D2						80	470														595		225	280	125	95	320	250	190										57				
	50-315																								180	225				345	280										90	100			
65-125		D1	80	65	100	360	460	180	200	125	95	280	212	150	14	110	14	260	24	50	27	8	40	80																					
65-160								180	225														46																						
65-200								180	225														51																						
65-250		D2						125	470														595		225	280	160	120	400	315	240	19									90	100			
65-315																									225	280				435	355	275									105				
	65-400		100	125	360	485	180	225	125	95	320	250	190	14	110	14	340	32	80	35	10	130	140																						
	65-402*																					570		695	250	355	160	120	435	355	275	19									150				
80-160		D1	100	80	125	470	595	200	280	160	120	400	315	240	19	110	14	340	32	80	35	10	63	100																					
80-200								200	280														95																						
80-250		D2						250	315														160		120	400	315	240	19												125				
80-315								530	655														280		355	160	120	435	355	275	19										175	140			
	80-400	D1																																							150				
	100-160	D1	125	100	125	470	595	200	280	160	120	360	280	200	19	110	14	340	32	80	35	10	80	140																					
100-200								225	315														160		120	400	315	240	19												87				
100-250		D2						140	530														670		280	355	200	150	500	400	300	23									100				
100-315																																									130				
100-400		D1																																							180				
	125-200		150	125	140	470	610	250	315	160	120	400	315	240	19	110	14	340	32	80	35	10	97	140																					
125-250		D1						280	355														200		150	500	400	300	23												110				
125-315								315	400														200		150	500	400	300	23												180				
125-400																																									200				
	150-200	D1						200	150														160		470	610	355	450	200	150	500	400	300	23	110	14	340	32	80	35	10	150	140		
	150-250	D2	280	375	200	150	500			400	300	23															160																		
150-315			315	400	200	150	550			450	350	23															190																		
150-400		D1																									230																		
	150-500	D2																									480																		
	200-260	D1	250	200	200	730	930	400	525	250	200	720	600	435	27	140	20	495	55	110	59	16	480	160																					
	200-315																								200	610	810	355	450	250	200	600	500	360	23									280	200
	200-400																								180	725	905	500																300	
	200-500.1																						D2																					360	
	200-500																						D3																					640	
	250-315	D1	300	250	230	730	960	400	525	300	240	720	600	435	27	140	20	515	55	110	59	16	390	200																					
	250-400	D1																					750		980	400	525	300	240	720	600	435	27										460		
	250-500.1	D2																					225		765	990	450	630	300	240	720	600	435	27									660		
	250-500	D3																																									660		
																																											660		

(*) 2 stages

(**) Gap necessary for the withdrawal of the pump rotor from the driven end without the need for disconnecting the motor and pipework (spacer coupling application).

NOTE : Right reserved to change without notice.

Material Options

Parts List	0.6025	0.7040	1.0619	1.4308	1.4408	1.4404	2.1050.01	1.0501	1.4021	1.4301	1.4401	1.4404	1.4138	2.1090.01
Volute casing	●	○	○	○	○	○	○							
Stuffing box cover	●	○	○	○	○	○	○							
Impeller	●	○	○	○	○	○	○							
Shaft								●	○	○	○	○		
Bearing housing	●	○	○	○	○	○	○							
Wear ring (Casing)	○	○											○	○
Shaft protecting sleeve							○	○		○	○		○	○
Mechanical seal (*)	DIN 24960 / EN 12756													

● Standard manufacturing
○ Optional

(*) **Optional** : Depending on customer requirement or request different types and brands of mechanical seals are applicable.

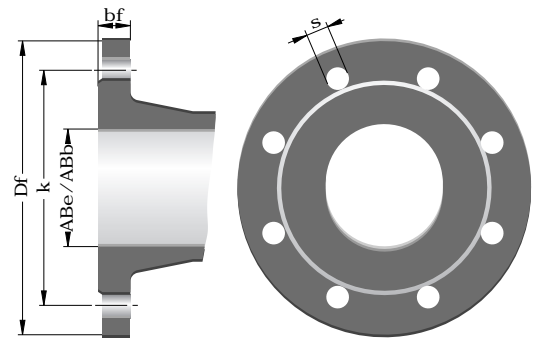
Material Equivalents

Description	DIN 17007	EN-DIN	ASTM
Cast iron	0.6025	GJL-250 (GG 25)	A 48 Class 40-B
Nodular cast iron	0.7040	GJS-400-15 (GGG 40)	A 536 Gr. 60-40-18
Cast steel	1.0619	GP240GH (GS-C 25)	A 216 Gr. WCB
Chrome nickel cast steel	1.4308	G-X6 Cr Ni 18.9	A 351-75 Grade CF8
Chrome nickel molybdenum cast steel	1.4408	G-X6 Cr Ni Mo 18.10	A 351-75 Grade CF8M
Chrome nickel molybdenum cast steel (low carbon)	1.4404	G-X2 Cr Ni Mo 18.10	A 167-74 Type 316 L
Chrome molybdenum cast steel	1.4138	G-X120 Cr Mo 29.2	-
Cast bronze	2.1050.01	G-Cu Sn 10	B 584 C 90700
Cast bronze	2.1090.01	G-Cu Sn 7 Zn Pb	B 584 C 93200
Chrome steel	1.0501	C 35	576-74 Grade 1035
Chrome steel	1.4021	X20 Cr 13	A 276 Type 420
Chrome nickel steel	1.4301	X5 Cr Ni 18.9	A 276 Type 304
Chrome nickel molybdenum steel	1.4401	X5 Cr Ni Mo 18.10	A 276 Type 316
Chrome nickel molybdenum steel (Low carbon)	1.4404	X2 Cr Ni Mo 18.10	A 167-74 Type 316 L

Flange dimensions

Pump Type	Suction (PN 16)						Discharge (PN 16)					
	ABe	Df	k	s	n	bf	ABb	Df	k	s	n	bf
32	40	150	110	18	4	18	32	140	100	18	4	18
40	50	165	125	18	4	20	40	150	110	18	4	18
50	65	185	145	18	4	20	50	165	125	18	4	20
65	80	200	160	18	8	22	65	185	145	18	4	20
80	100	220	180	18	8	24	80	200	160	18	8	22
100	125	250	210	18	8	26	100	220	180	18	8	24
125	150	285	240	23	8	26	125	250	210	18	8	26
150	200	340	295	23	12	30	150	285	240	23	8	26
200	250	405	355	27	12	32	200	340	295	23	12	30
250	300	460	410	27	12	32	250	405	355	27	12	32

* n " number of holes



STANDART FOREIGN TRADE INC. CO.

İDOS ORGANİZE SANAYİ BÖLGESİ
2. CADDE NO: 9
(2 NOLU PARK KARŞISI)
YUKARI DUDULLU 81260
ÜMRANIYE / İSTANBUL / TURKEY

Phone +90 (216) 466 89 00 Pbx
+90 (216) 499 05 60 (3 lines)
Fax +90 (216) 499 05 59
E-Mail export@standartpompa.com

FACTORY

İDOS ORGANİZE SANAYİ BÖLGESİ
2. CADDE NO: 5
YUKARI DUDULLU 81260
ÜMRANIYE / İSTANBUL / TURKEY

Phone +90 (216) 466 89 00 Pbx
Fax +90 (216) 415 88 60
Internet http://www.standartpompa.com
E-Mail info@standartpompa.com



Standart

Pompa ve Makina Sanayi Ticaret A.Ş.