

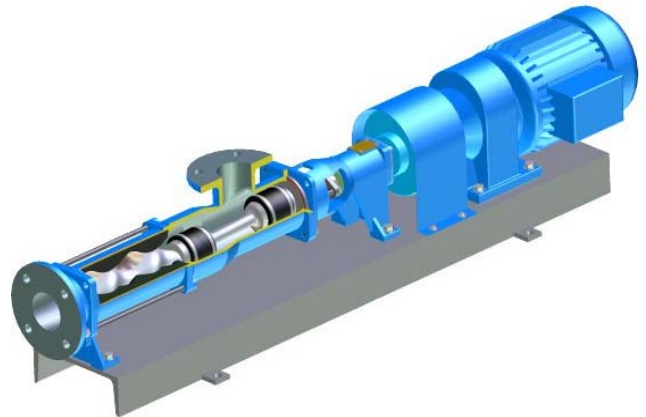


Progressive cavity pump FJ/FG .. S .. B



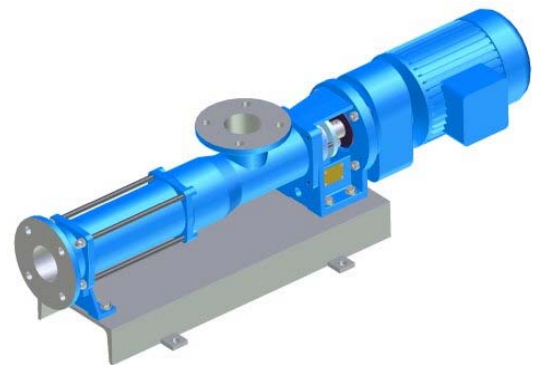
Performance

Progressive cavity pump with bearing socket or close coupled, constant or adjustable flow, reversible flow direction, connections by flange DIN 2501 or ANSI, other on request, Casing in steel or stainless steel, rotating parts in stainless steel, cardan joint sealed, sealing by stuffing box or mechanical seal



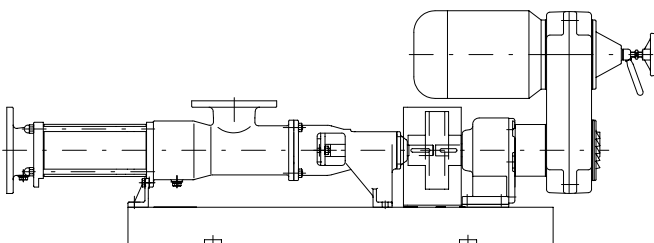
Use

Tried and tested in almost all industries for pumping media from water up to higher viscosity media such as mud, with or without solid particles. Waste water, bilge, oil, acid and lye, colours, glue, paste, peeling waste, animal food, a.o.

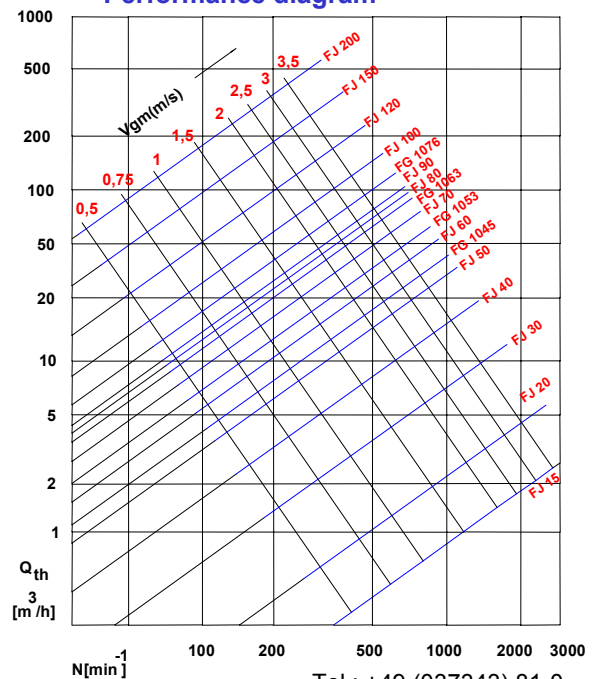


Branches

Waste water and environmental technology, chemical industry, agriculture, soap and grease industry, colour- and varnish industry, plastic production, ship building, paper and cellulose industry.



Leistungsdiagramm
Performance diagram



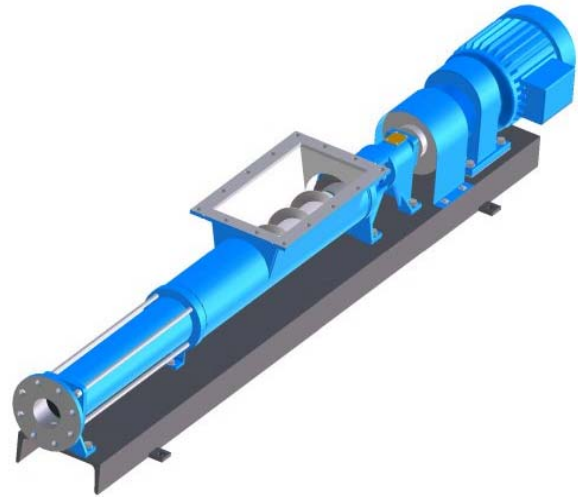


Pump with feed hopper FJ/FG .. SR .. BR



Performance

Progressive cavity pump with bearing socket or close coupled, constant or adjustable flow, rectangular feed hopper on top of the casing, feed screw inside the casing, connections by flange DIN 2501 or ANSI, other on request, Casing in steel or stainless steel, rotating parts in stainless steel, cardan joint sealed, sealing by stuffing box or mechanical seal, casing with additional connection for cleaning, rinse or drain possible

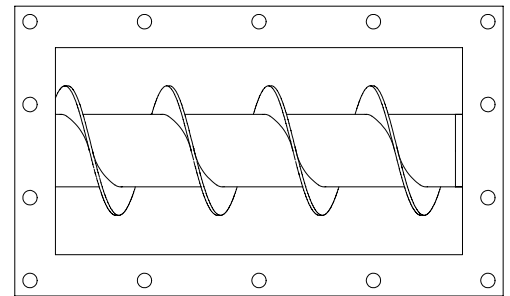


Use

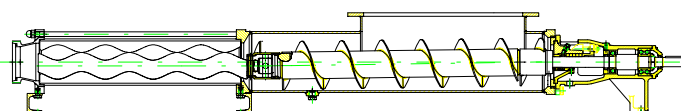
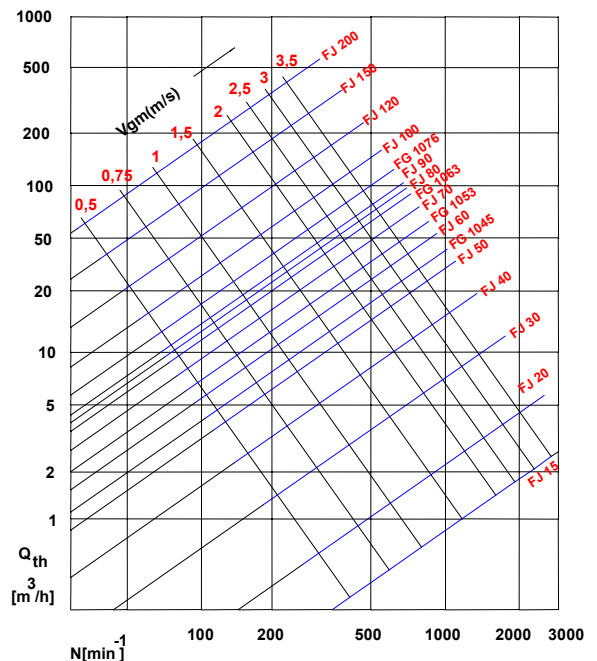
Suitable for medias of higher viscosity with many solid parts, Sewage mud, fruits, mash, paste, peeling waste, drain medias a.o.

Branches

Waste water and environmental technology, chemical industry, agriculture, food and beverage industry, soap and grease industry, colour- and varnish industry, plastic production, paper and cellulose industry a.o.



Leistungsdigramm
Performance diagram



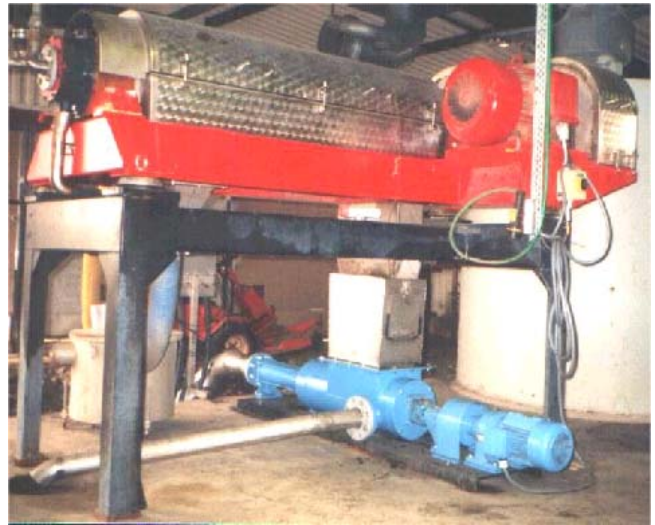


Pump with feed hopper (big casing) FJ/FG .. SH .. BH



Performance

Progressive cavity pump with bearing socket or close coupled, constant or adjustable flow, big casing, rectangular feed hopper on top of the casing, big feed screw inside the casing, connections by flange DIN 2501 or ANSI, other on request, Casing in steel or stainless steel, rotating parts in stainless steel, cardan joint sealed, sealing by stuffing box or mechanical seal, casing with additional connection for cleaning, rinse or drain possible



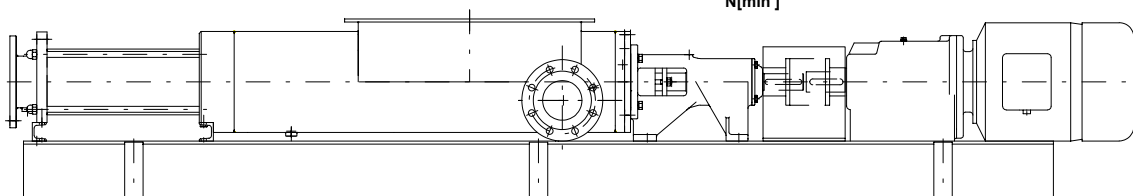
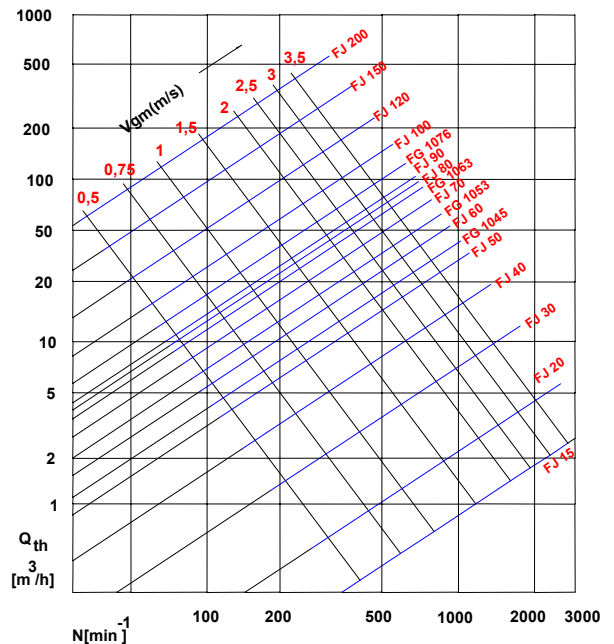
Use

Suitable for medias of higher viscosity with many solid parts, good for medias with tendency of bridge building
Sewage mud, fruits, mash, paste, peeling waste, drain medias, drain mud up to 40% TS a.o.

Branches

Waste water and environmental technology, chemical industry, agriculture, food and beverage industry, soap and grease industry, colour- and varnish industry, plastic production, paper and cellulose industry a.o.

Leistungsdiagramm
Performance diagram





Pump with feed hopper and paddles FJ/FG .. SZ .. BZ



Performance

Progressive cavity pump with bearing socket or close coupled, constant or adjustable flow, rectangular feed hopper on top of the casing with installation of paddles, feed screw inside the casing, connections by flange DIN 2501 or ANSI, other on request, Casing in steel or stainless steel, rotating parts in stainless steel, cardan joint sealed, sealing by stuffing box or mechanical seal, casing with additional connection for cleaning, rinse or drain possible

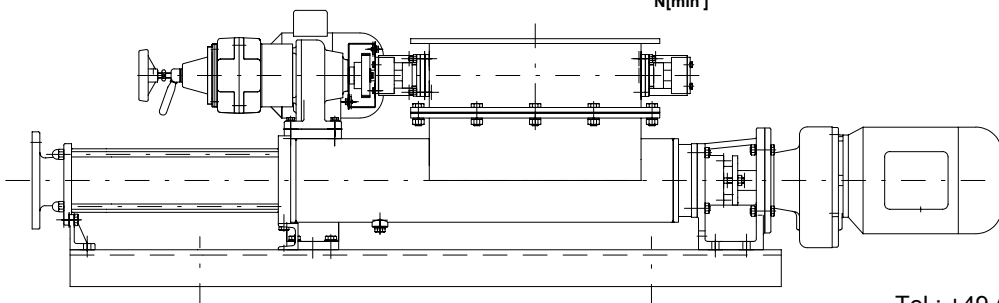
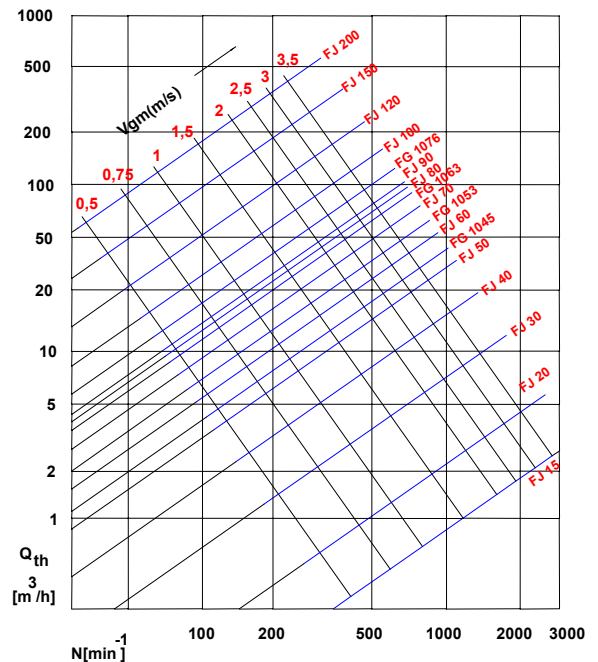
Use

Suitable for medias of higher viscosity with many solid parts, good for medias with tendency of bridge building
Sewage mud, fruits, mash, paste, peeling waste, drain medias, drain mud up to 40% TS a.o.

Branches

Waste water and environmental technology, chemical industry, agriculture, food and beverage industry, soap and grease industry, colour- and varnish industry, plastic production, paper and cellulose industry a.o.

Leistungsdiagramm
Performance diagram





Vertical progressive cavity pump FJ/FG .. BV

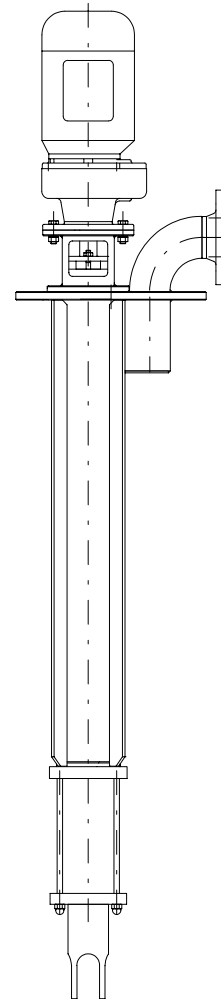


Performance

Progressive cavity pump close coupled, vertical arrangement, different submerged depths, constant or adjustable flow, connections by flange DIN 2501 or ANSI, other on request, Casing in steel or stainless steel, rotating parts in stainless steel, cardan joint sealed, sealing by stuffing box or mechanical seal

Use

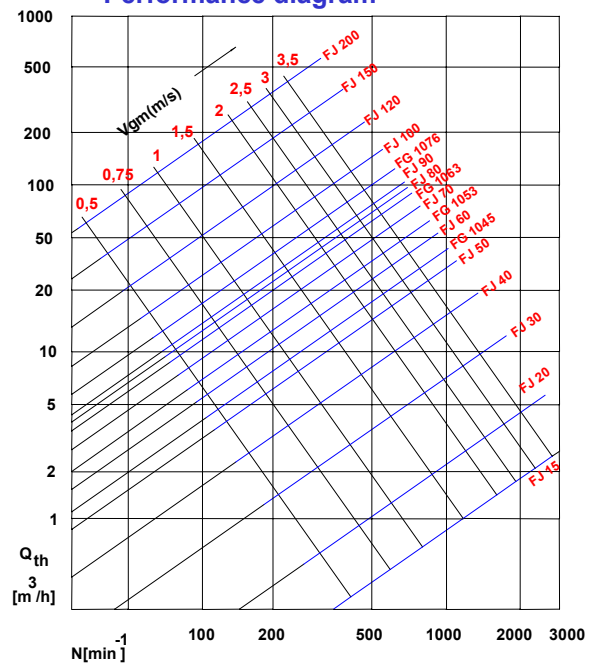
Suitable for medias of higher viscosity. For reliable transport of media, with the pump in vertical orientation enabling the suction port to be immersed in the fluid reservoir. tar, waste water, heavy fuel, waste mud, bilge, oil, acid and lye, colours, glue, paste, animal food, liquid manure a.o.



Branches

Waste water and environmental technology, chemical industry, agriculture, food industry, soap and grease industry, colour- and varnish industry, plastic production, paper and cellulose industry a.o.

Leistungsdiagramm
Performance diagram





Barrel pump FJ/FG .. F

Performance

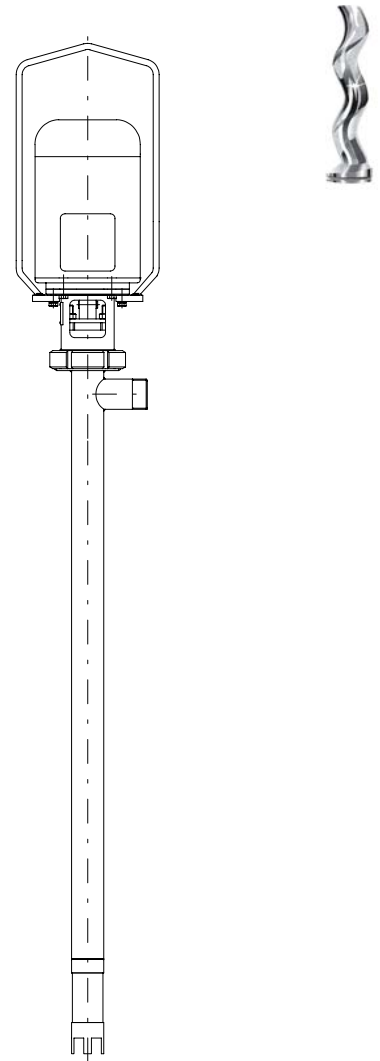
Progressive cavity pump close coupled, vertical arrangement with carry handle, constant or adjustable flow, connections by flange DIN 2501 or ANSI or 2 1/2" other on request, Casing in and rotating parts in stainless steel, fitting with 2" barrel port, cardan joint sealed, sealing by stuffing box or mechanical seal

Use

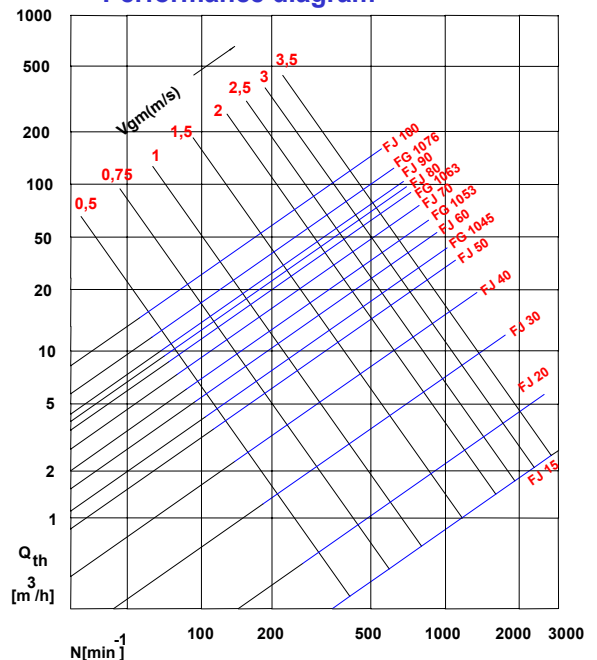
Barrel pump for the emptying of open or closed barrels with 2" ports. Suitable for medias of higher viscosity. For reliable transport of media, with the pump in vertical orientation enabling the suction port to be immersed in the fluid reservoir. Oil, acid and lye, colours, glue a.o.

Branches

Waste water and environmental technology, chemical industry, agriculture, food industry, soap and grease industry, colour- and varnish industry, plastic production, paper and cellulose industry a.o.



Leistungsdigramm
Performance diagram



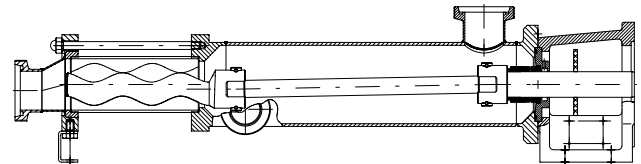


Hygienic pump FJ/FG .. SC .. BC



Performance

Progressive cavity pump, close coupled, direct flange drive, fixed or regulated discharge, self priming, reversible flow direction, connection DIN 11851, other typ by inquiry
 casing and rotating parts are stainless steel (1.4571, AISI 316 Ti),
 high-class surface, open pin joint for easily cleaning,
 mechanical seal is inside the casing for easily cleaning and to avoid dead areas,
 connection are flat on bottom, no residues,
 casing with tangential flush connections for CIP possible,
 double casing for heating by water or steam possible

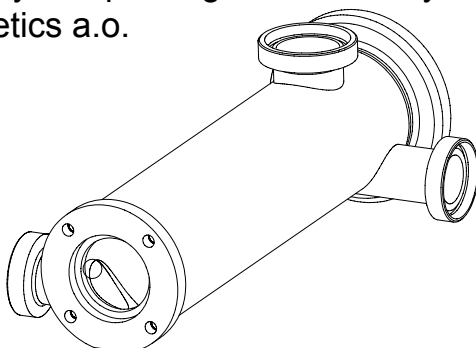


Use

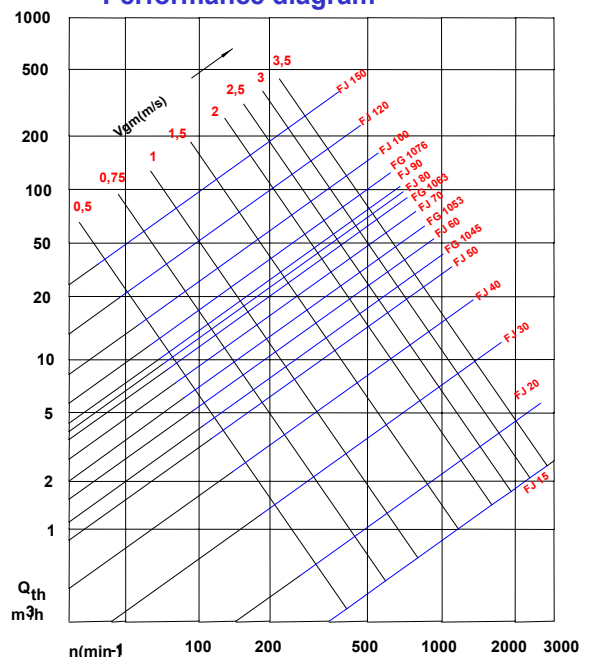
For media from water up to higher viscosity media :
 Milk products , grease and oil, paste, spice, fruit juice, grapes and grapes juice, yeast, mash , distilling products, cream a.o.

Branches

Food an beverage industry, chemical industry, soap and grease industry, cosmetics a.o.



Leistungsdiagramm
Performance diagram



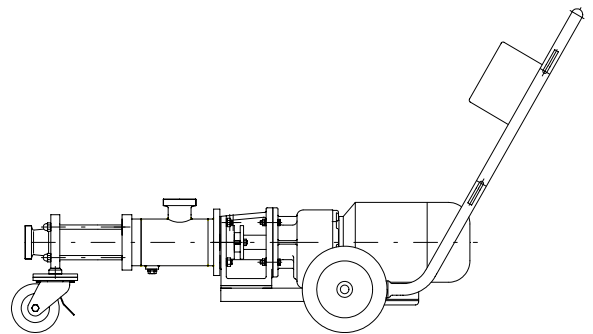


Food pump FJ/FG .. SL .. BL



Performance

Progressive cavity pump with bearing socket or close coupled, constant or adjustable flow, reversible flow direction, connections by flange DIN 11851, other on request, Casing and rotating parts in stainless steel (1.4571), casing with tangential flush connections for CIP possible, double casing for heating by water or steam possible, cardan joint sealed, sealing by stuffing box or mechanical seal



Use

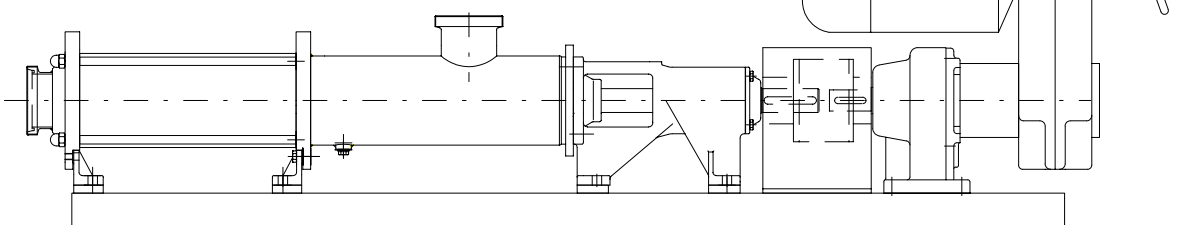
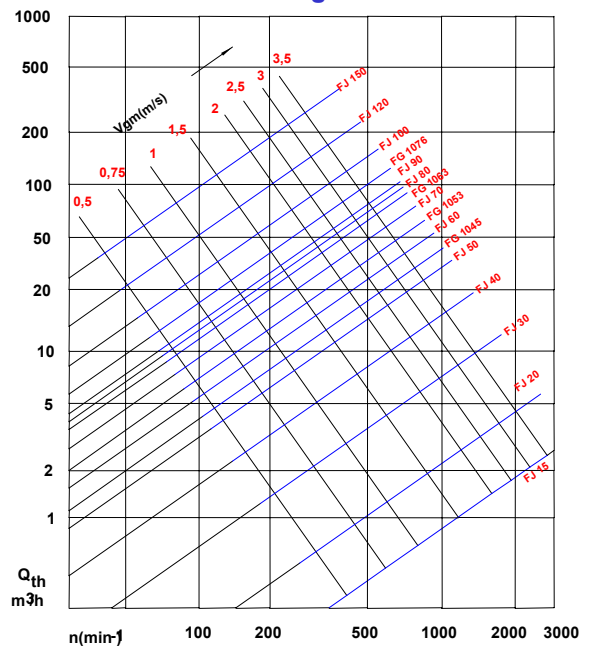
For media from water up to higher viscosity media :

Milk products, grease and oil, paste, spice, fruit juice, grapes and grapes juice, yeast, mash, distilling products, cream a.o.

Branches

Food and beverage industry, chemical industry, soap and grease industry, cosmetics a.o.

Leistungsdiagramm
Performance diagram



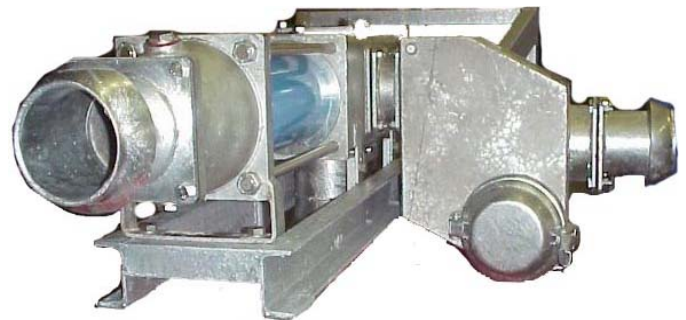


Progressive cavity pump for agriculture FJ .. A



Performance

Progressive cavity pump with bearing socket, reversible flow direction, drive by power take off (PTO), connections by four hole flange, other on request, Casing in steel galvanized, rotating parts in stainless steel, cardan joint sealed, sealing by special mechanical seal

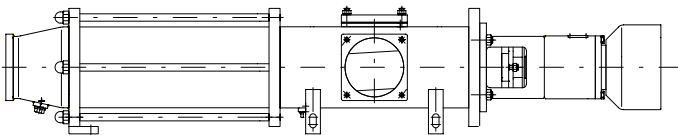


Use

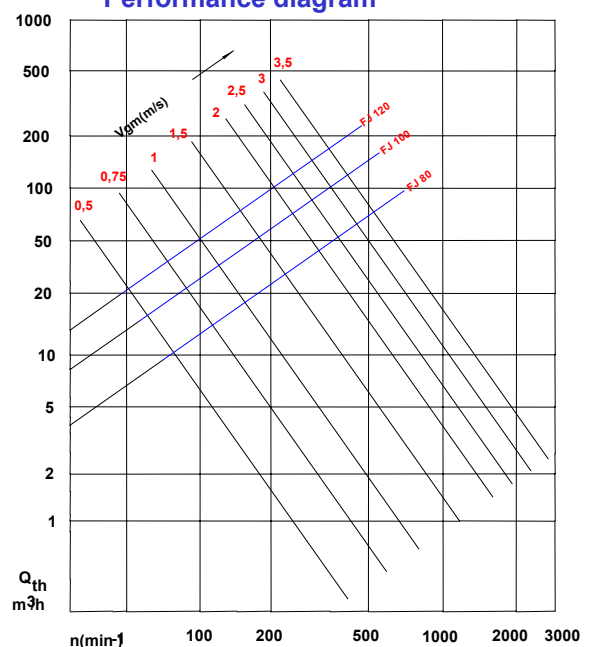
Suitable for medias of higher viscosity with solids and fibres
Liquid manure, waste water, mud a.o.

Branches

Waste water and environmental technology, agriculture, a.o.



Leistungsdiagramm
Performance diagram





Portable progressive cavity pump FJ 20 P



Performance

Progressive cavity pump, reversible flow direction, simple design, easy to take apart, connections G1 ¼ inside threading, easy to clean, Casing in aluminium or stainless steel, rotating parts in stainless steel, cardan joint sealed, sealing by stuffing box or mechanical seal



Use

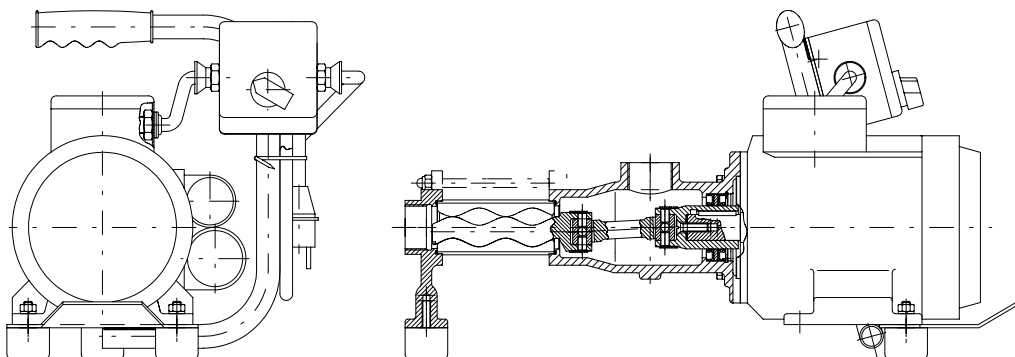
Suitable for medias of higher viscosity, Waste water, bilge, mud, oil, acid and lye, colours, glue a.o.

Branches

Multiple useable, for pumping, fill up and discharge in in almost all industries

discharge: 2,3 -2,5 m³/h

pressure: 0 - 6 bar



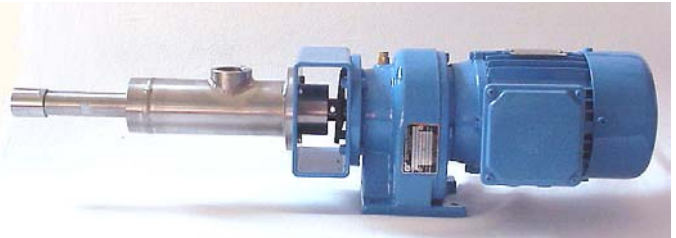


Dosing pump FJ 06..08..10



Performance

Progressive cavity pump close coupled, simple design, stationary or moveable, constant or adjustable flow, reversible flow direction, Casing and rotating parts in stainless steel, bolt joint sealed, sealing by mechanical seal



Use

Suitable for medias of viscosity like water with few pollution, Polymer, waste water, oil, acid and lye, colours, glue a.o.

Branches

Chemical industry, Waste water and environmental technology, colour- and varnish industry, laboratory, cosmetics industry, food and beverage industry, filter technology

Leistungsdiagramm Performance diagram

